



830 Winters Ave.  
Grand Junction, CO 81501  
(970) 424-5225

Warrior 675 – 7:8 Lobe  
5.7 Stage HR – 6.75" OD

### General Data

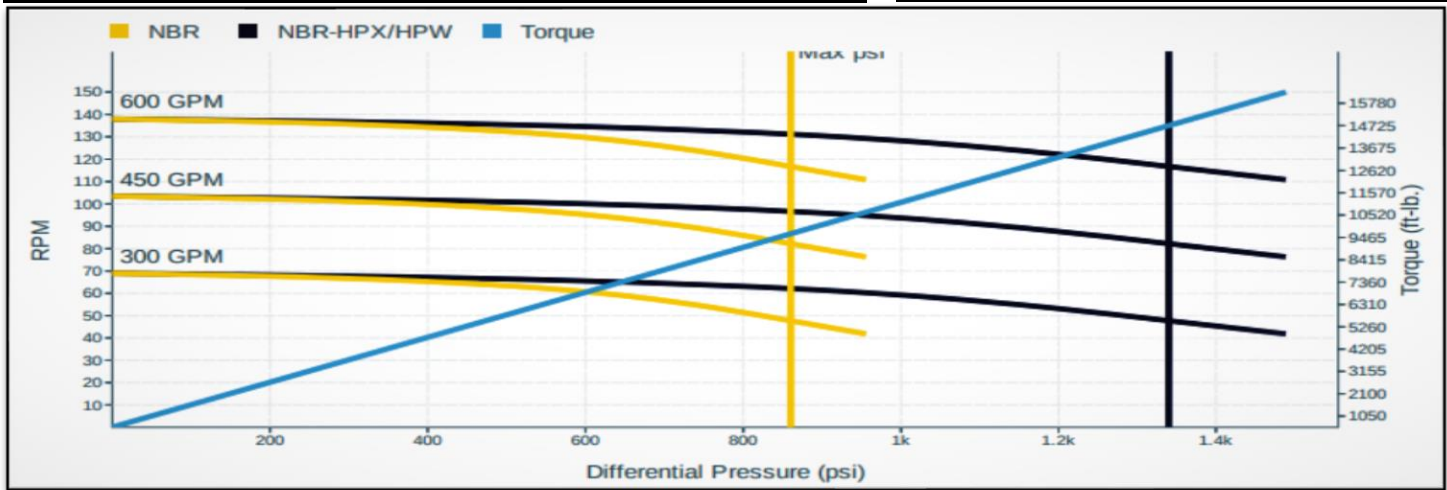
Bit Sizes	7 7/8" – 9 7/8"	Max WOB (w/flow)	110,000 lbs.
Bit Connection	4 1/2 Reg	Optimum WOB (w/flow)	55,000 lbs.
Top Connection	4 1/2 XH	Max WOB (w/o flow)	275,000 lbs.
Torque – Connections	25,000 ft-lb	Max Bit Pull (w/damage)	380,000 lbs.
Torque – ABH	28,500 ft-lb	Max Body Pull (w/damage)	832,000 lbs.

### Physical Properties

Bit to Bend Length (ABH)	82.50 in.
Bit to Bend Length (Fixed)	64.50 in.
Nominal Length	375 in.
Weight	2850 lbs.

### Performance Data

Flow Range	300-600 gpm
Speed Range	70-140 rpm
Speed Ratio	.23 rev/gal
Max. Differential Pressure	1340 psi
Torque Ratio	10.60 ft-lb/psi
Torque at Max Differential	14,200 ft-lb
Stall Torque	22,370 ft-lb



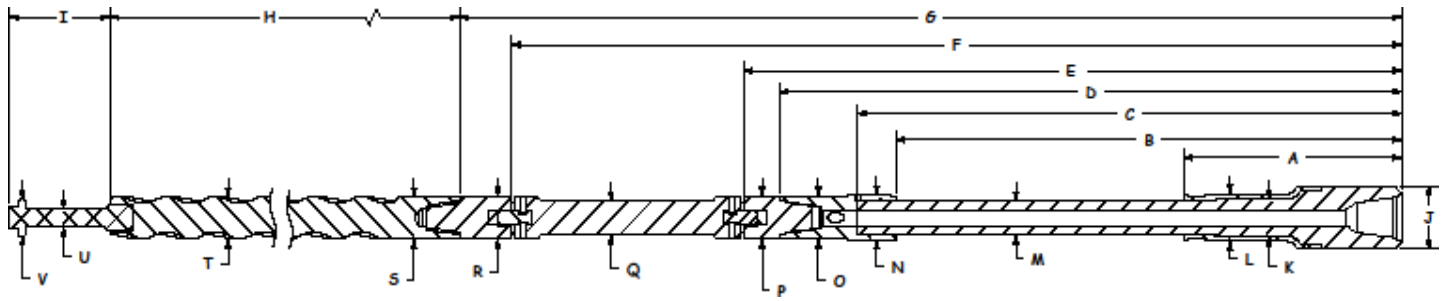
#### Calculated Build Up Rates – Degrees / 100 ft. (FIXED)

Angle (Deg)	Hole Size (in) – Slick Sleeve				Hole Size (in) – Stabilized			
	7 7/8	8 1/2	8 3/4	9 7/8	7 7/8	8 1/2	8 3/4	9 7/8
0.25	2.0	1.5	1.3		1.4	1.8	1.9	2.5
0.50	3.3	2.7	2.5		2.8	3.2	3.3	3.9
0.75	4.5	4.0	3.8	2.8	4.2	4.6	4.7	5.3
1.00	5.7	5.2	5.0	4.0	5.6	6.0	6.1	6.7
1.25	7.0	6.4	6.2	5.2	7.0	7.3	7.5	8.1
1.50	8.2	7.7	7.5	6.5	8.4	8.7	8.9	9.5
1.75	9.5	8.9	8.7	7.7	9.8	10.1	10.3	10.9
2.00	10.7	10.1	9.9	8.9	11.2	11.5	11.7	12.3
2.25	11.9	11.4	11.2	10.2	12.6	12.9	13.1	13.7
2.50	13.2	12.6	12.4	11.4	14.0	14.3	14.5	15.1
2.75	14.4	13.8	13.6	12.6	15.4	15.7	15.9	16.5
3.00	15.6	15.1	14.9	13.9	16.8	17.1	17.3	17.9

#### Calculated Build Up Rates – Degrees / 100 ft. (ABH)

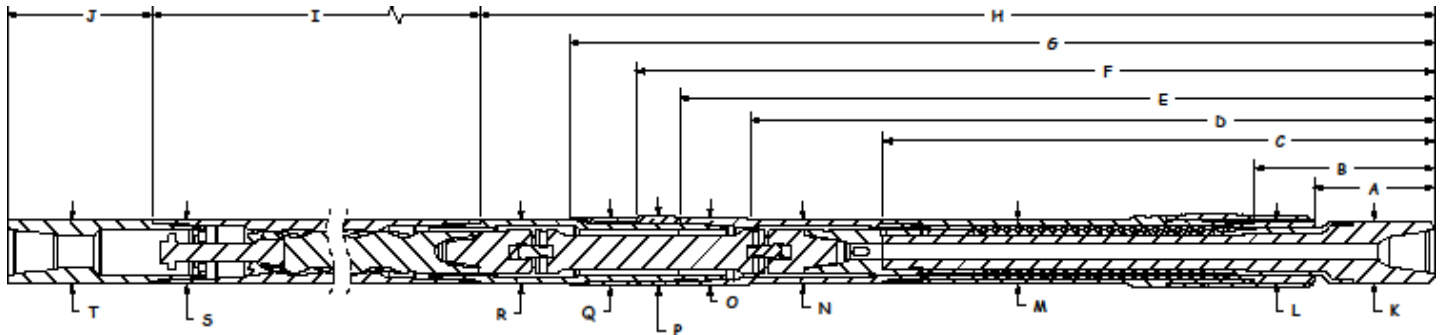
Angle (Deg)	Hole Size (in) Slick Sleeve				Hole Size (in) Stabilized			
	7 7/8	8 1/2	8 3/4	9 7/8	7 7/8	8 1/2	8 3/4	9 7/8
0.25	1.1				1.3	1.7	1.8	2.4
0.50	2.3	2.0	1.9		2.7	3.0	3.1	3.7
0.75	3.5	3.2	3.1	2.6	4.0	4.3	4.4	5.0
1.00	4.8	4.5	4.4	3.8	5.3	5.6	5.7	6.3
1.25	6.0	5.7	5.6	5.1	6.6	6.9	7.1	7.7
1.50	7.2	6.9	6.8	6.3	7.9	8.2	8.4	9.0
1.75	8.5	8.2	8.1	7.5	9.2	9.6	9.7	10.3
2.00	9.7	9.4	9.3	8.8	10.5	10.9	11.0	11.6
2.25	10.9	10.6	10.5	10.0	11.9	12.2	12.3	12.9
2.50	12.2	11.9	11.8	11.2	13.2	13.5	13.6	14.2
2.75	13.4	13.1	13.0	12.5	14.5	14.8	14.9	15.5
3.00	14.6	14.3	14.2	13.7	15.8	16.1	16.3	16.9

• Actual Build up Rates subject to varying factors; including formation, WOB



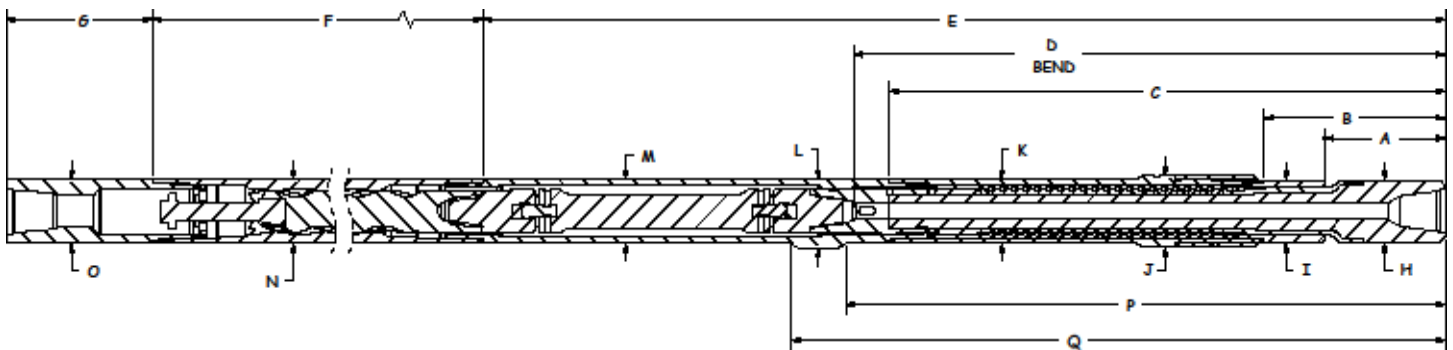
**INNER FISHING DIMENSIONS**

A	B	C	D	E	F	G	H	I	J	K	L	M	N	O	P	Q	R	S	T	U	V
24.15	56.03	60.3	68.9	72.4	99.2	104.4	252	11.15	6.55	3.94	4.92	3.58	4.75	4.5	4.5	3.5	4.5	4.38	4.644	1.88	3.80



**OUTER FISHING DIMENSIONS (ABH)**

A	B	C	D	E	F	G	H	I	J	K	L	M	N	O	P	Q	R	S	T
13.15	19.65	60.28	74.72	82.51	87.33	94.56	100.35	260	22.38	6.55	6.55	6.75	6.75	7.13	7.31	7.13	6.75	6.75	6.75



**OUTER FISHING DIMENSIONS (FIXED)**

A	B	C	D	E	F	G	H	I	J	K	L	M	N	O	P	Q
13.15	19.65	60.28	64.25	100.35	260	22.38	6.55	6.55	7.50	6.50	7.13	6.50	6.50	6.50	64.5	69.63

- IF RUNNING SLICK SLEEVE THEN SAME AS BEARING HOUSING UPSET DIMENSION
- IF RUNNING SLICK HOUSING THEN SAME AS BEARING HOUSING DIMENSION